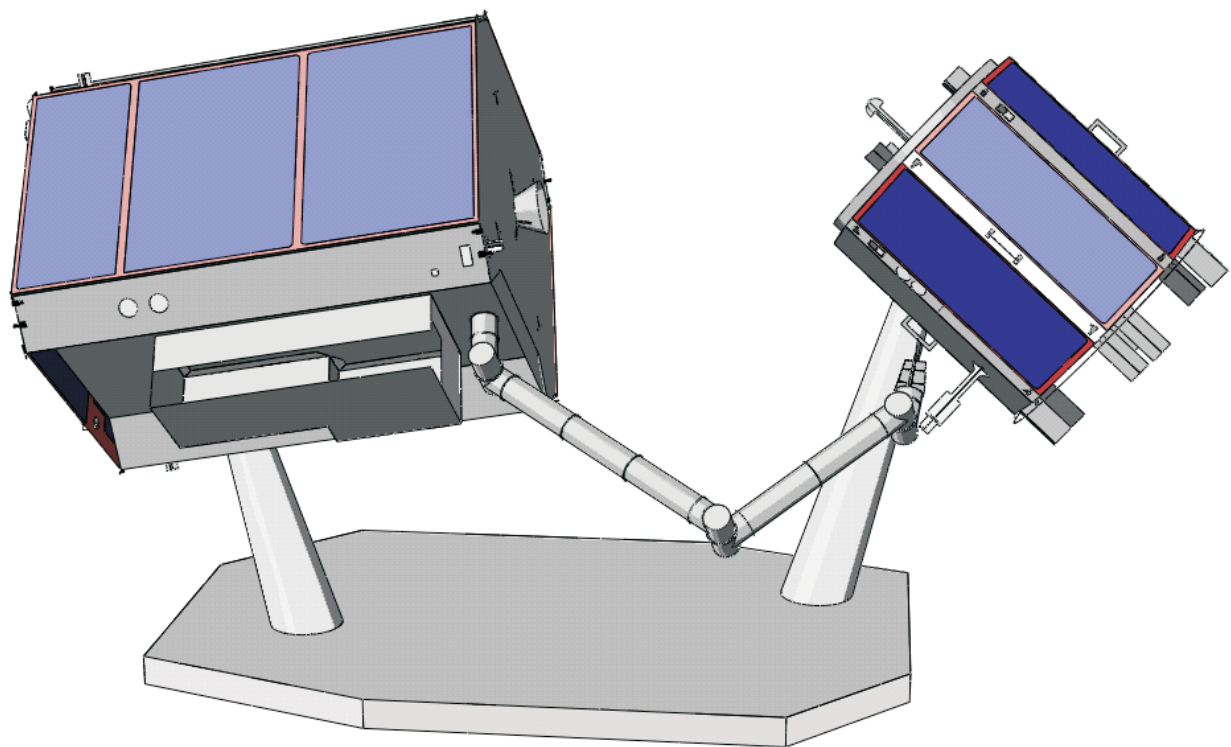




Deutsche Orbitale Servicing Mission DEOS

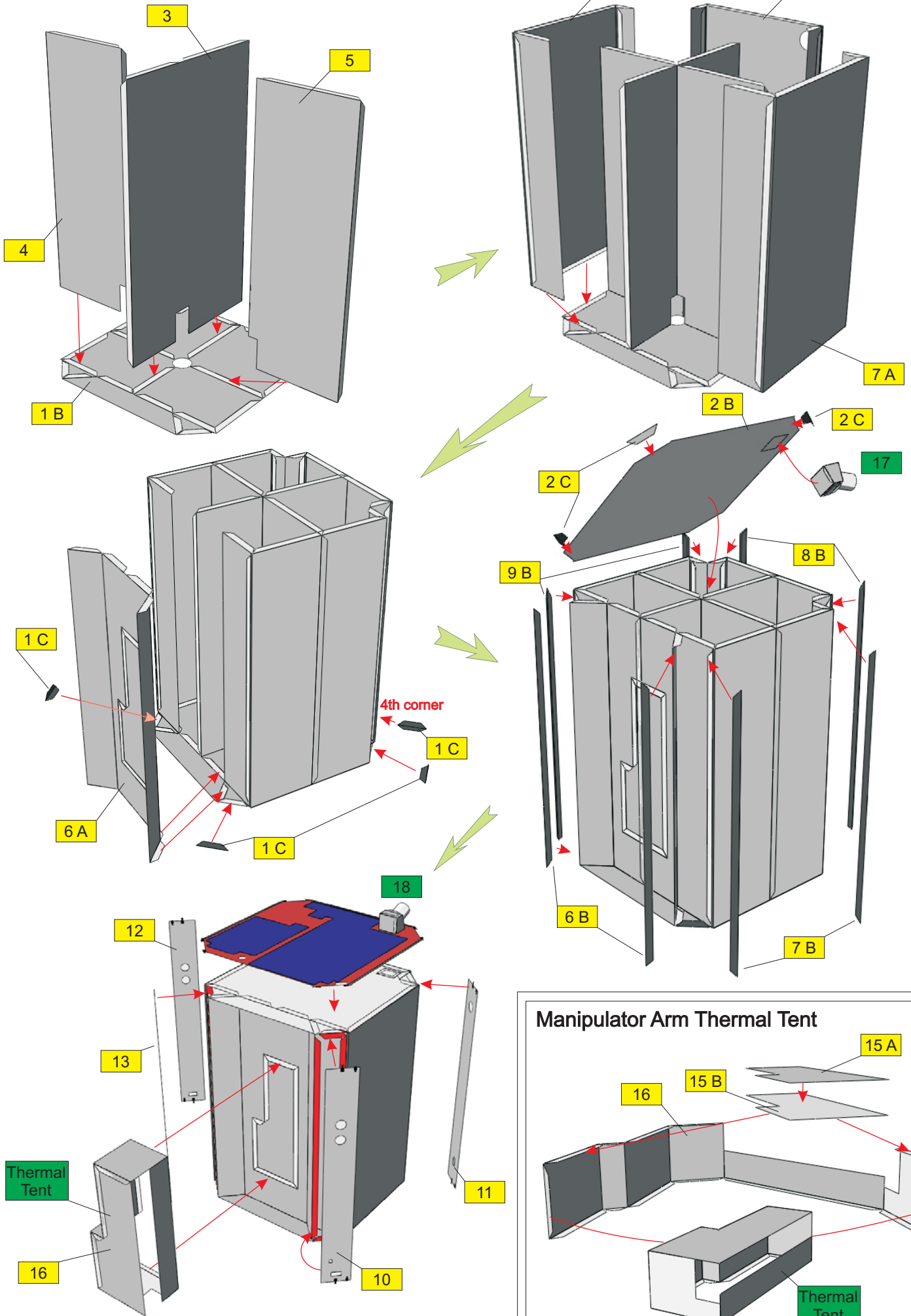
Paper Desk Top Model



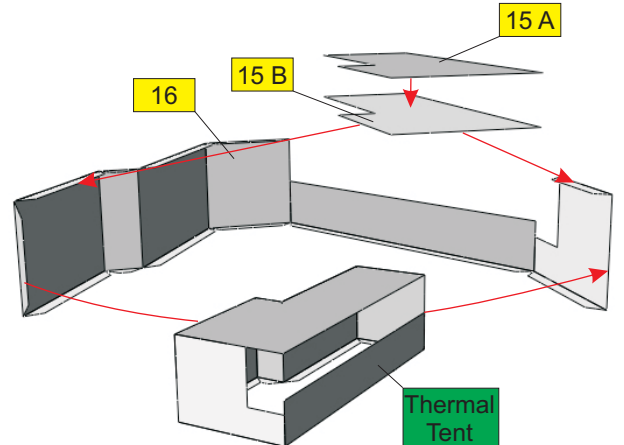
Scale 1:15

Servicer Integration I

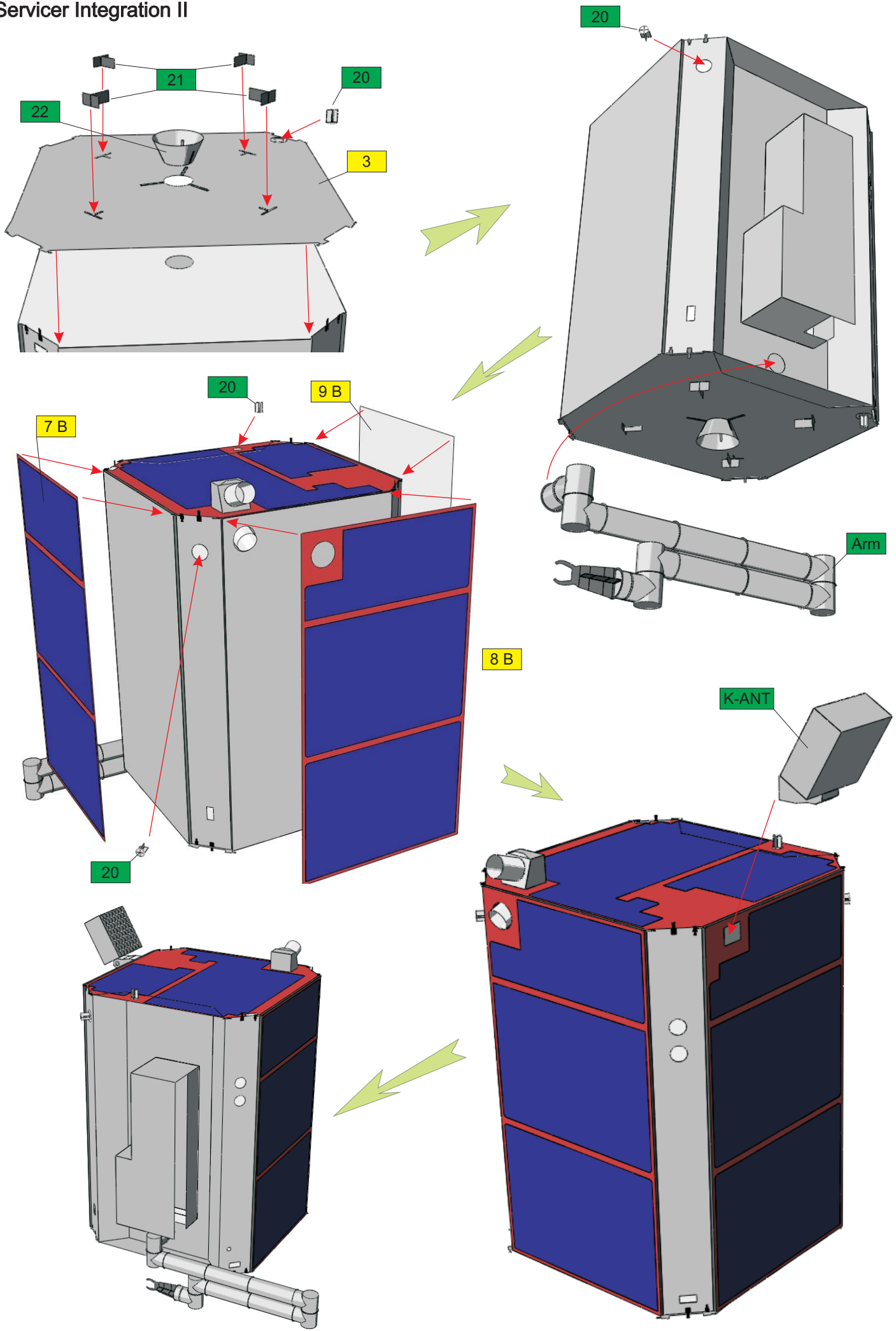
- # Parts to cut from paper
- # Pre-manufactured parts (see next pages)



Manipulator Arm Thermal Tent

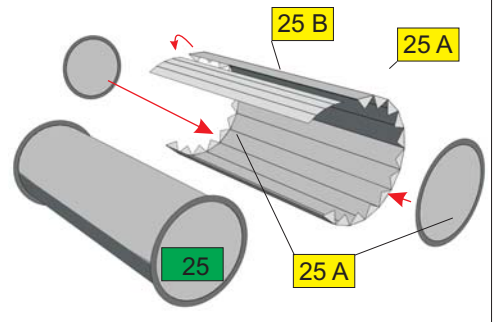
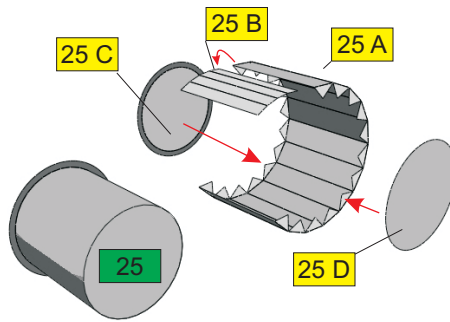
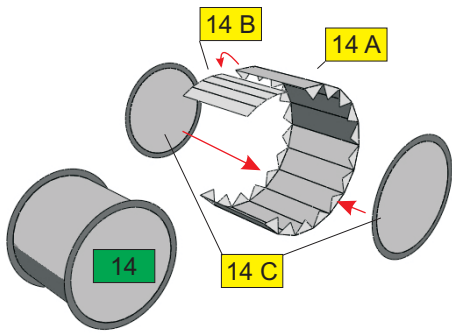


Servicer Integration II



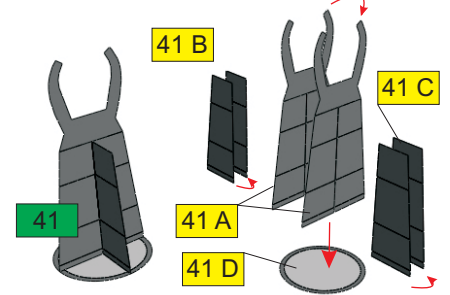
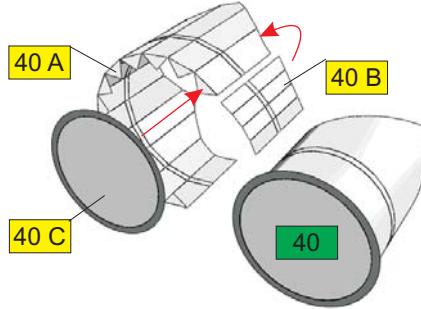
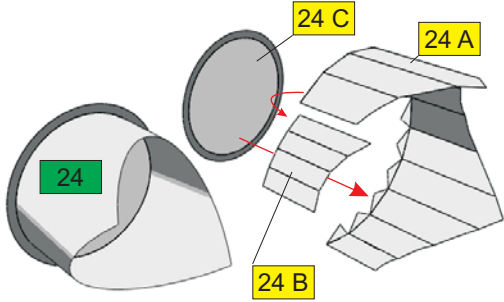
Manipulator Arm

Form/glue cylinder and glue caps.



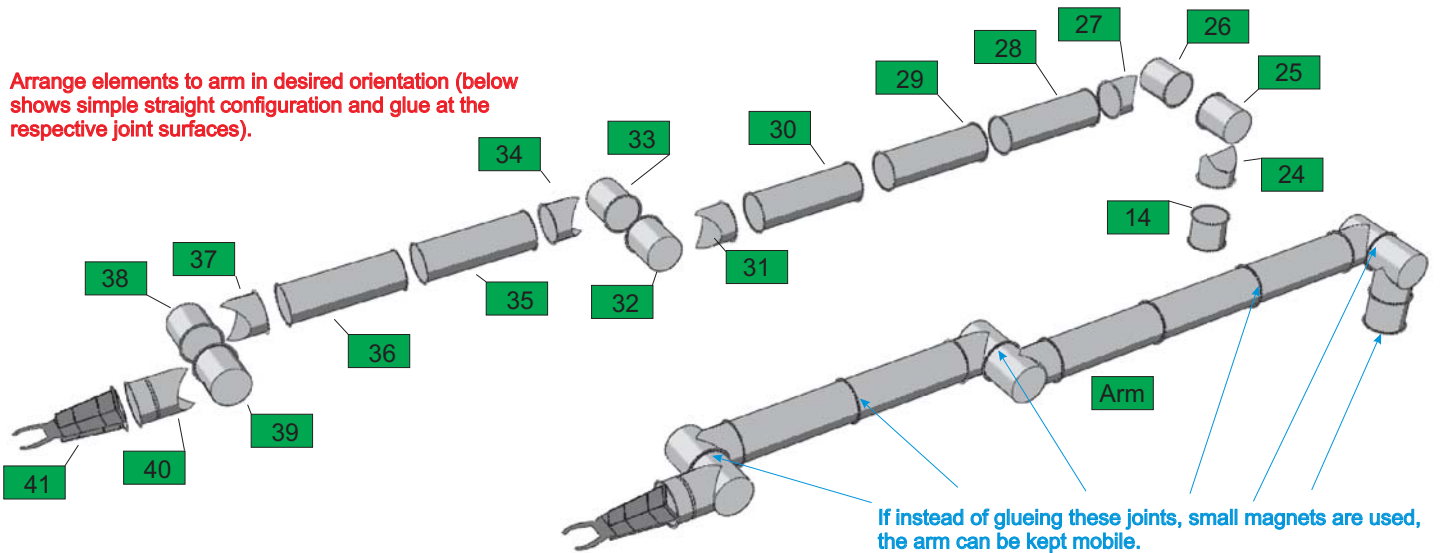
26, 32, 33, 38 & 39 identical

29, 30, 35 & 36 identical

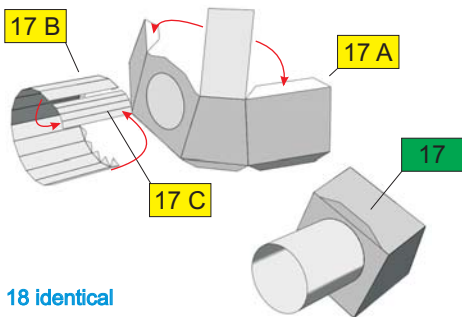


27, 31, 34 & 37 identical

Arrange elements to arm in desired orientation (below shows simple straight configuration and glue at the respective joint surfaces).

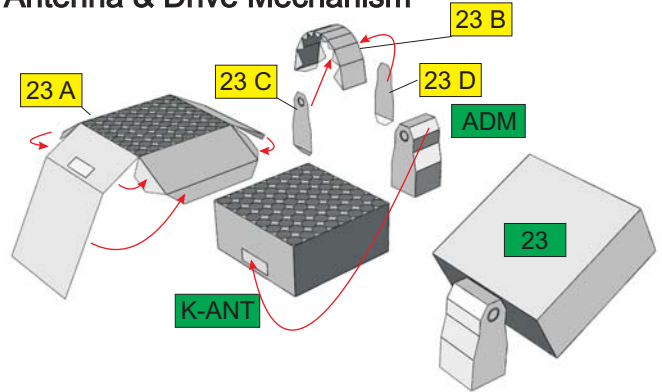


Star Camera

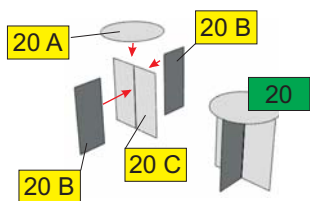


18 identical

Ka-Band Antenna & Drive Mechanism

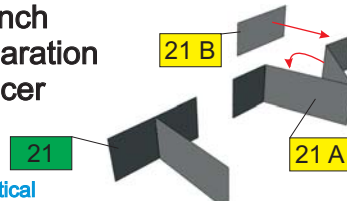


S-Band Antenna



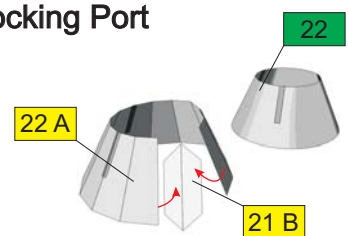
4 identical S-Band antennas (all as 20)

Launch Separation Spacer

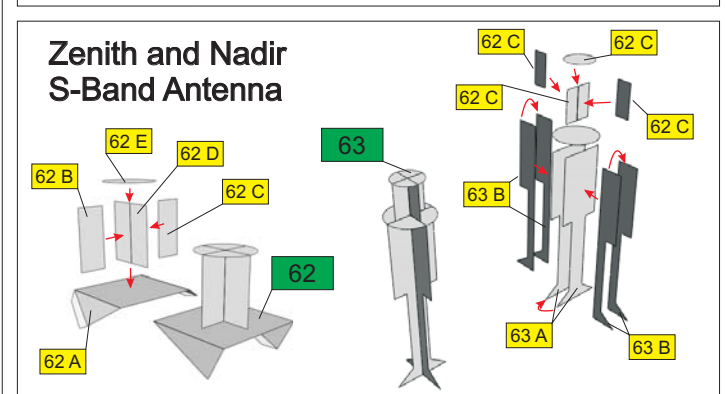
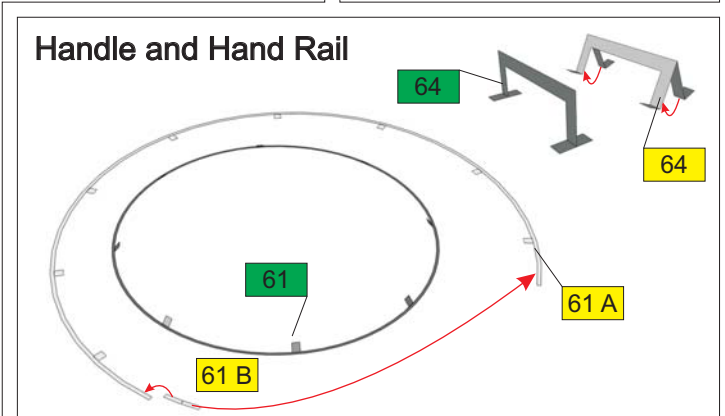
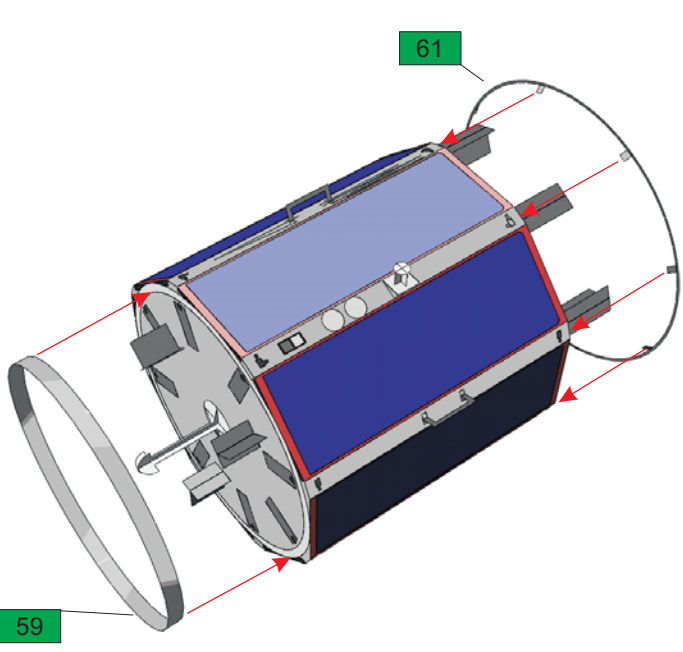
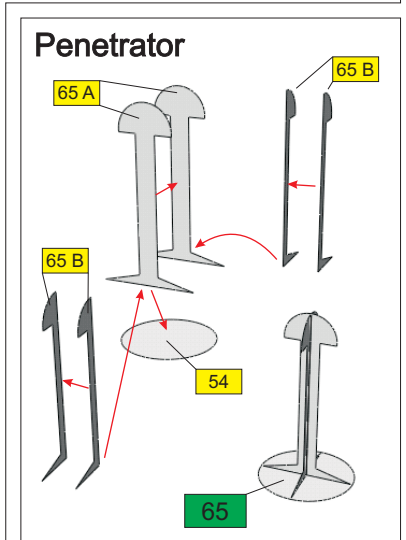
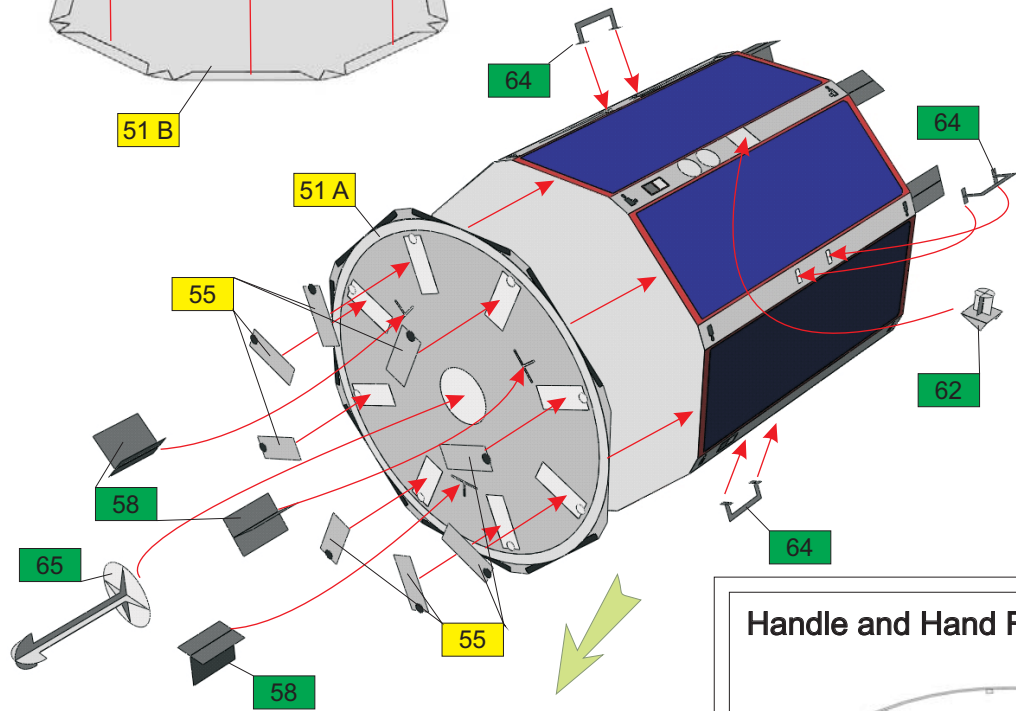
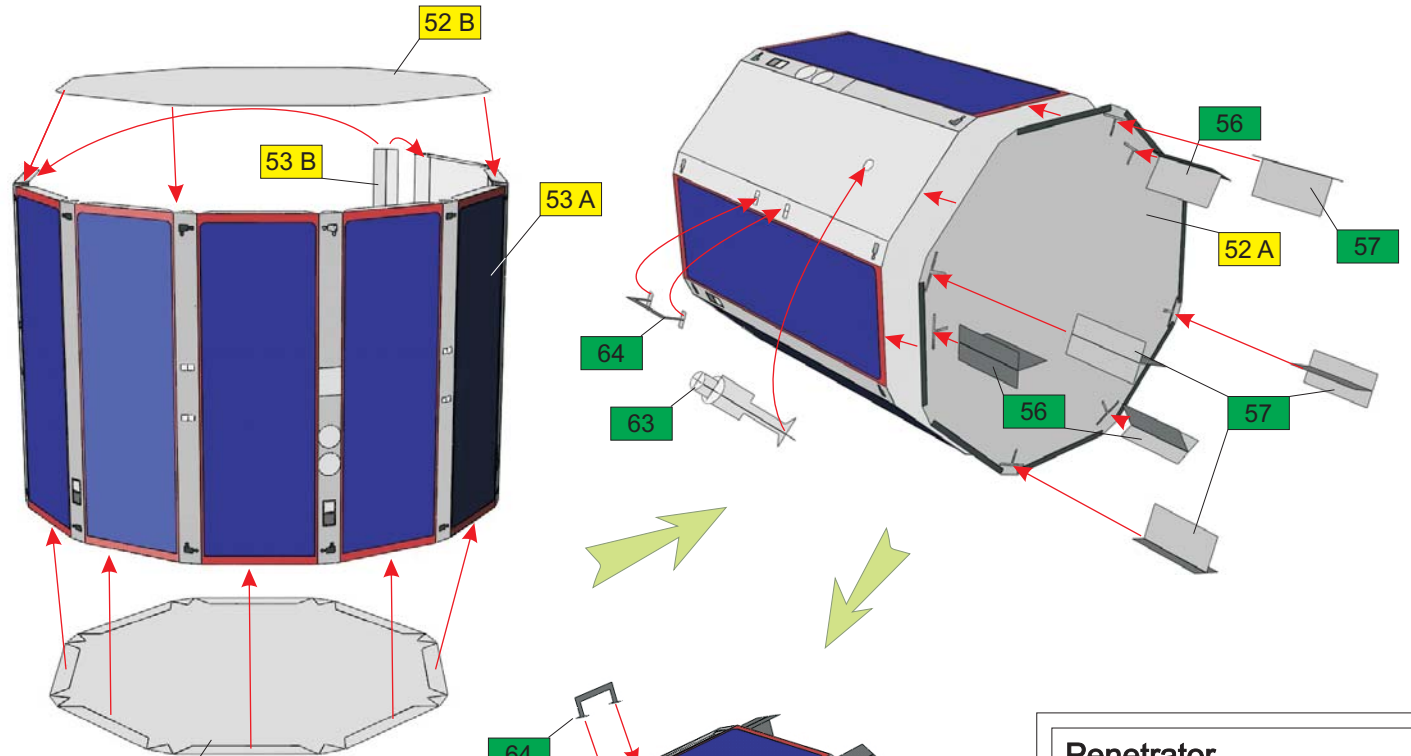


4 identical spacers (all as 21); Client Parts 56, 57, 58 principally identical

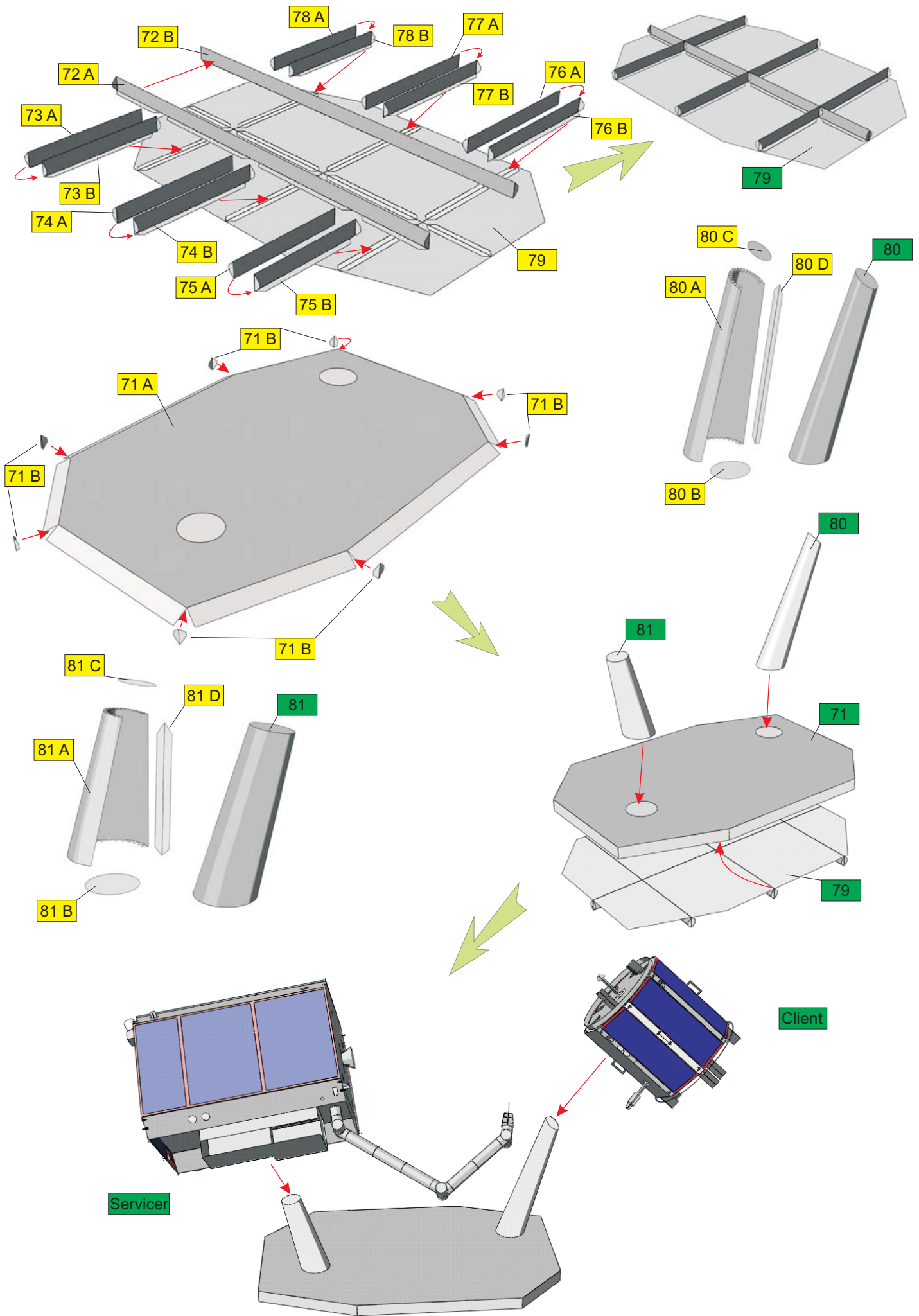
Docking Port

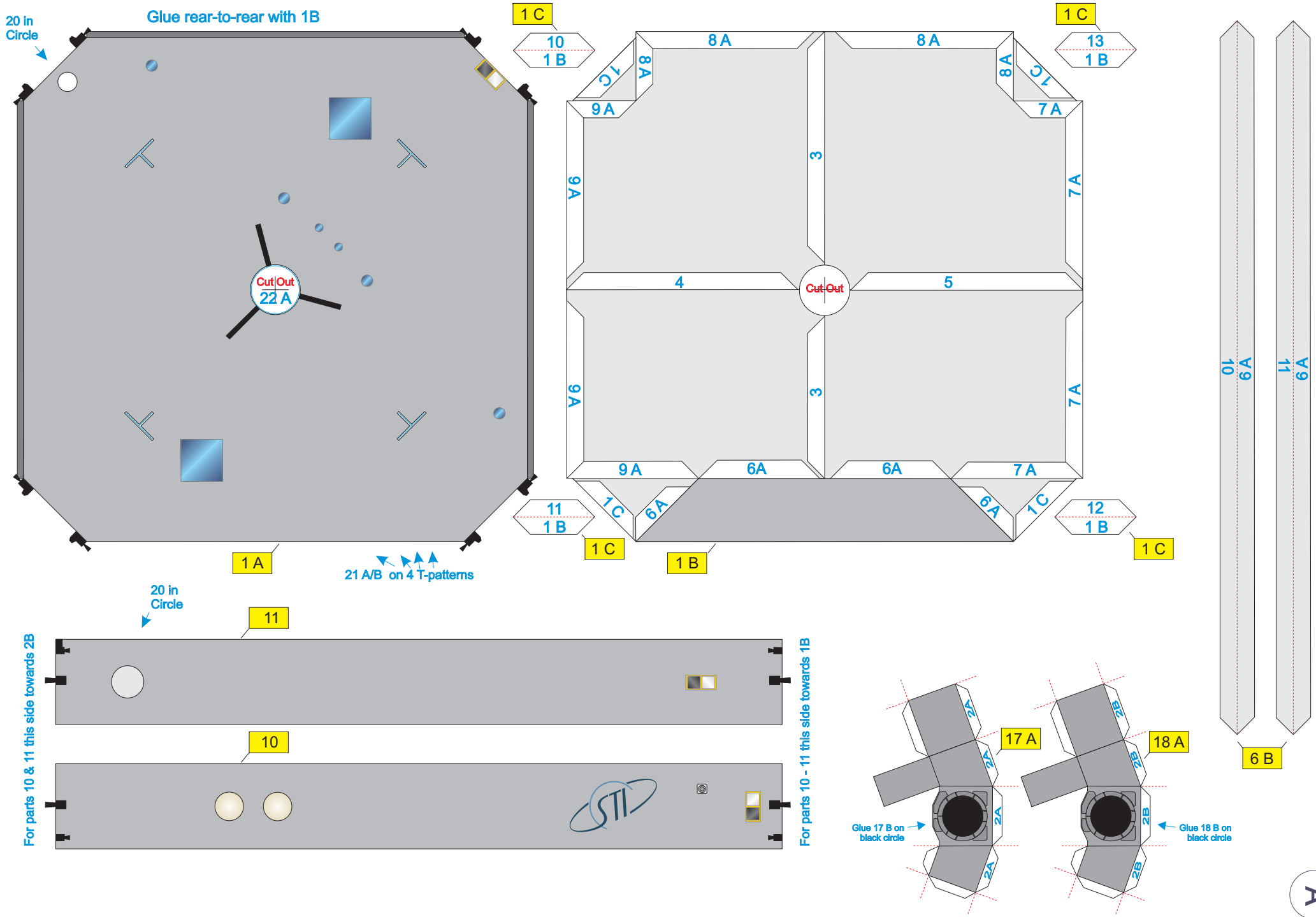


Client Integration



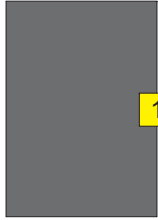
Model Platform



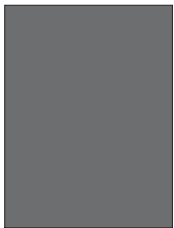




1A



1C



1C

10

11

17A

18A

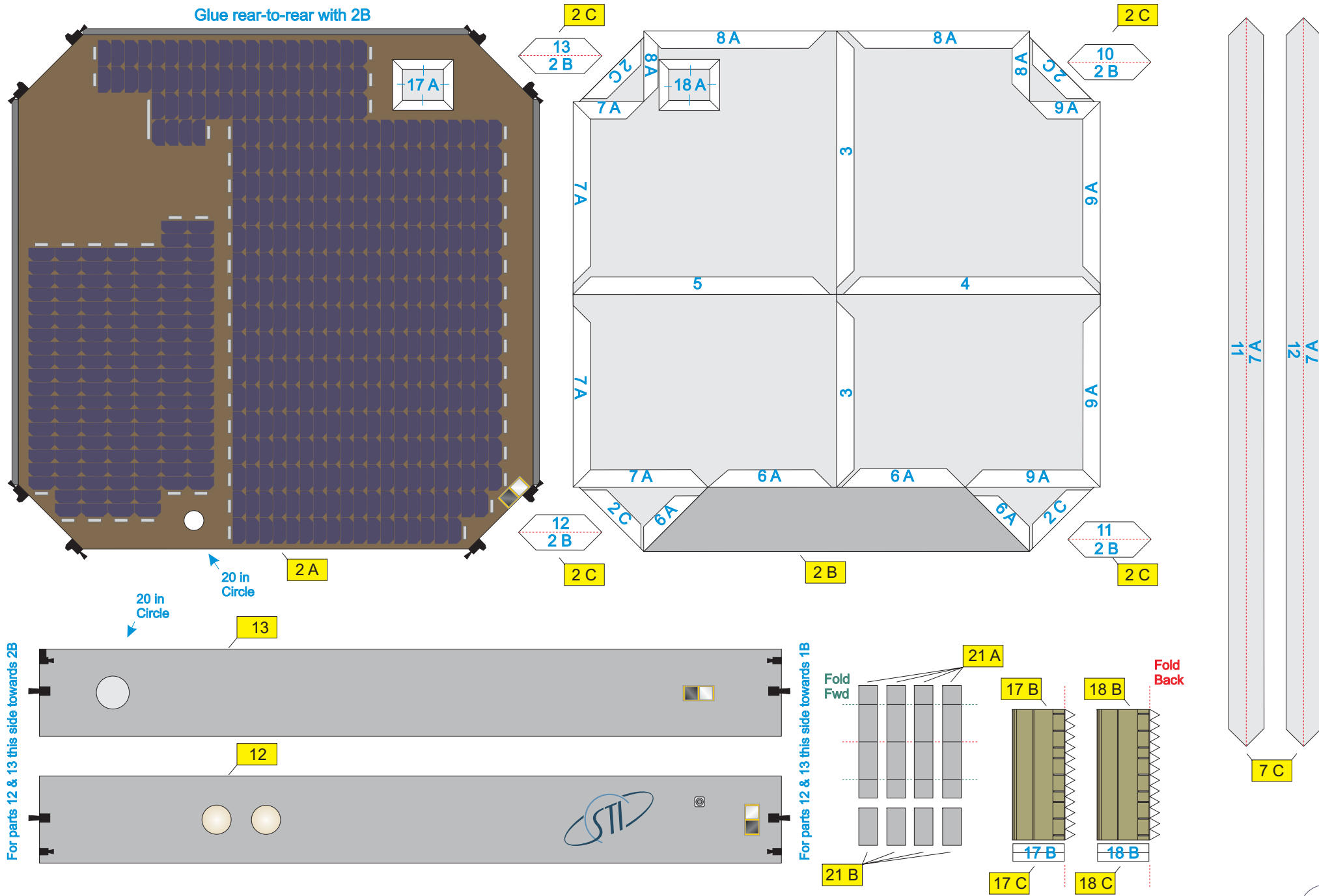
6B

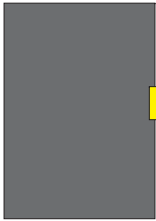
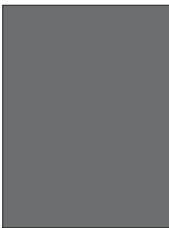
6B

1B

1C

1C



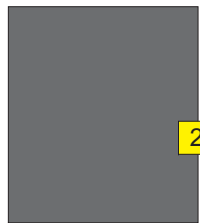


12

13

2 C

2 A



2 C

2TB

21B

21B

2TB

21A

21A

21A

21A



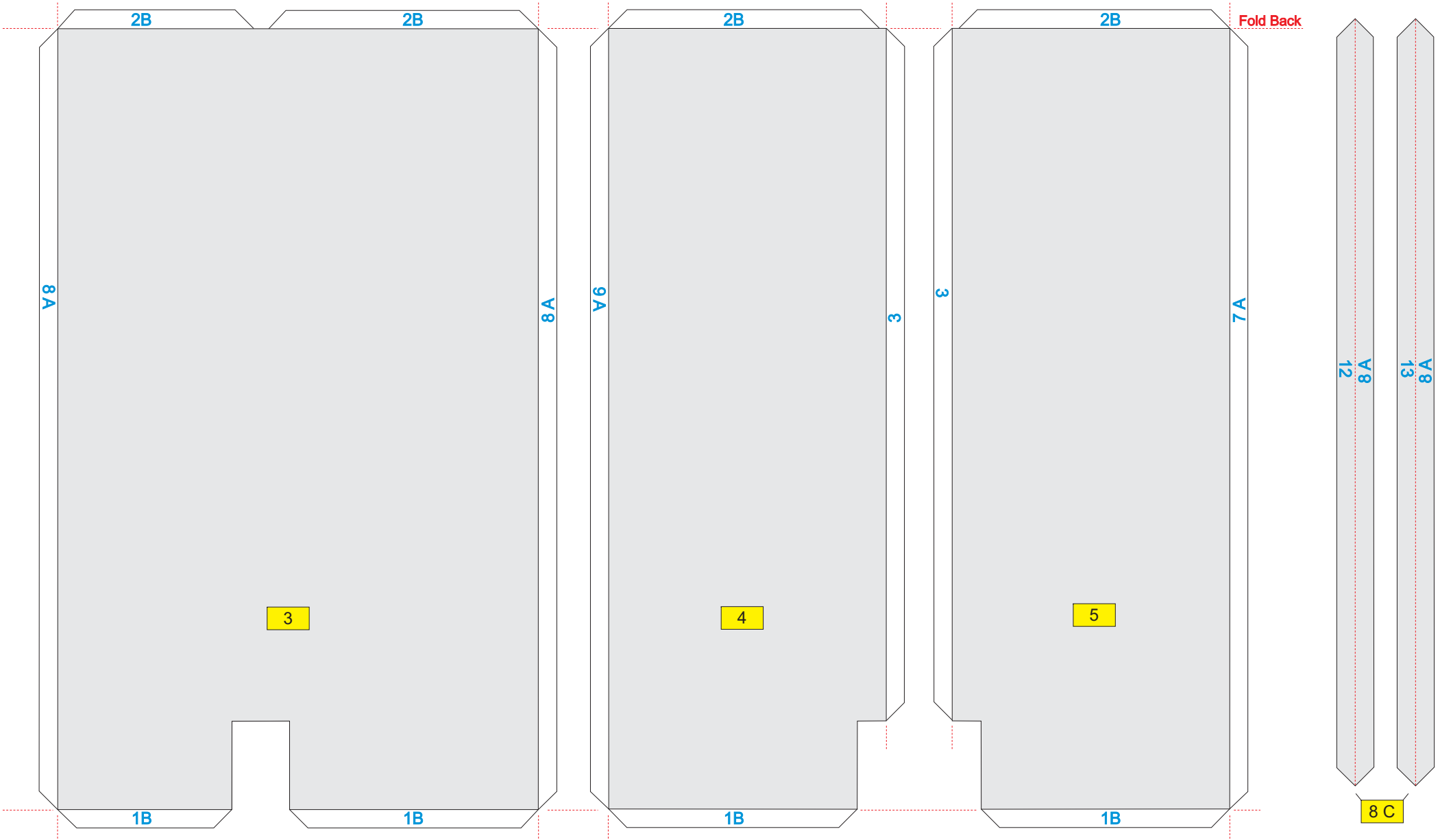
7 C

7 C

2 B

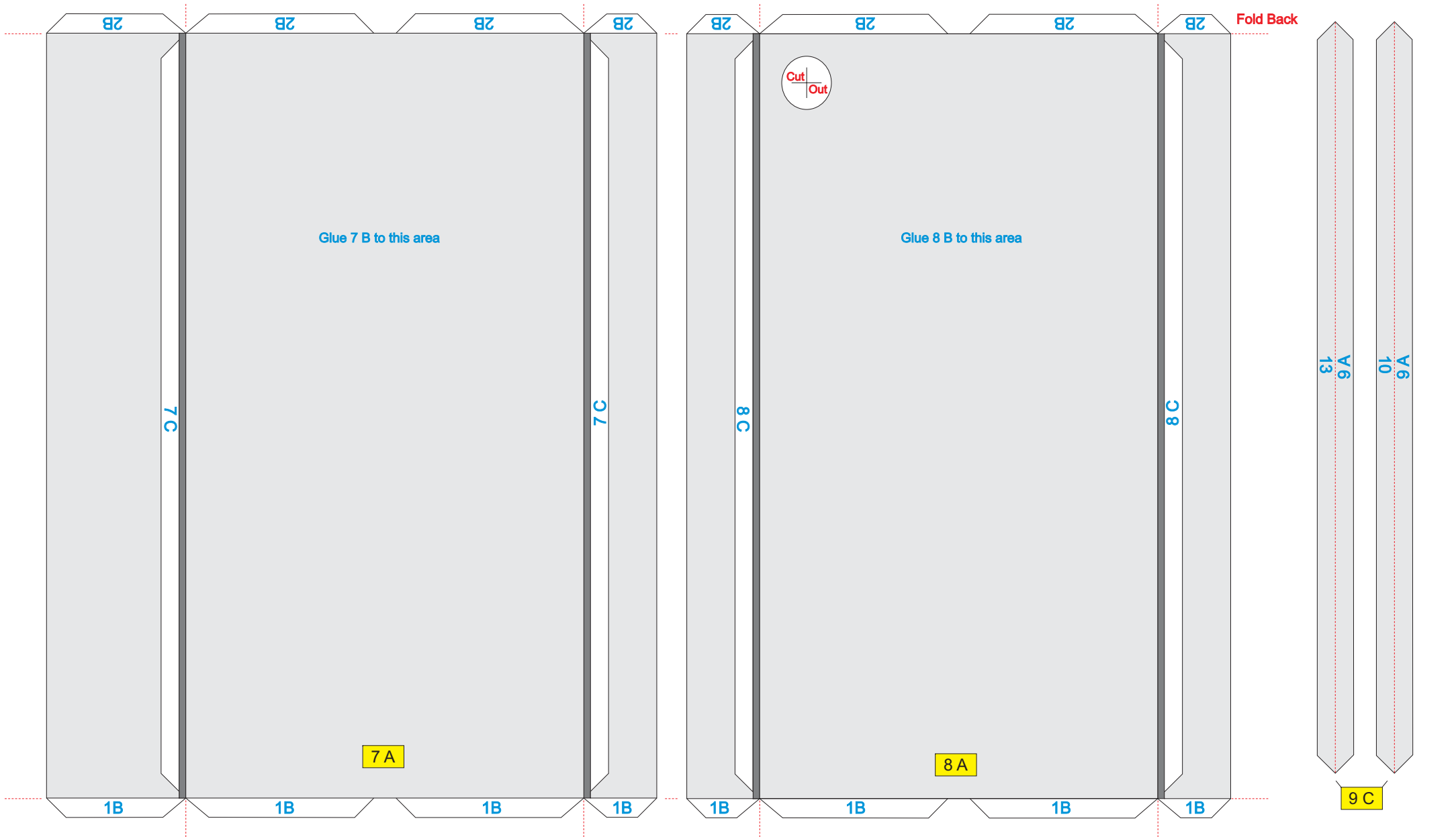
2 C

2 C



8 C

8 C



- 24 C
24 A
- 25 C
25 A
- 26 C
26 A
- 27 C
27 A
- 28 C
28 A
- 28 C
28 A
- 29 C
29 A
- 29 C
29 A
- 30 C
30 A
- 30 C
30 A
- 31 C
31 A
- 32 C
32 A
- 33 C
33 A
- 34 C
34 A
- 35 C
35 A
- 35 C
35 A
- 36 C
36 A
- 36 C
36 A
- 14 C
14 A
- 14 C
14 A



24 C

25 C

26 C

27 C

28 C

28 C

29 C

29 C

30 C

30 C

31 C

32 C

33 C

34 C

35 C

35 C

36 C

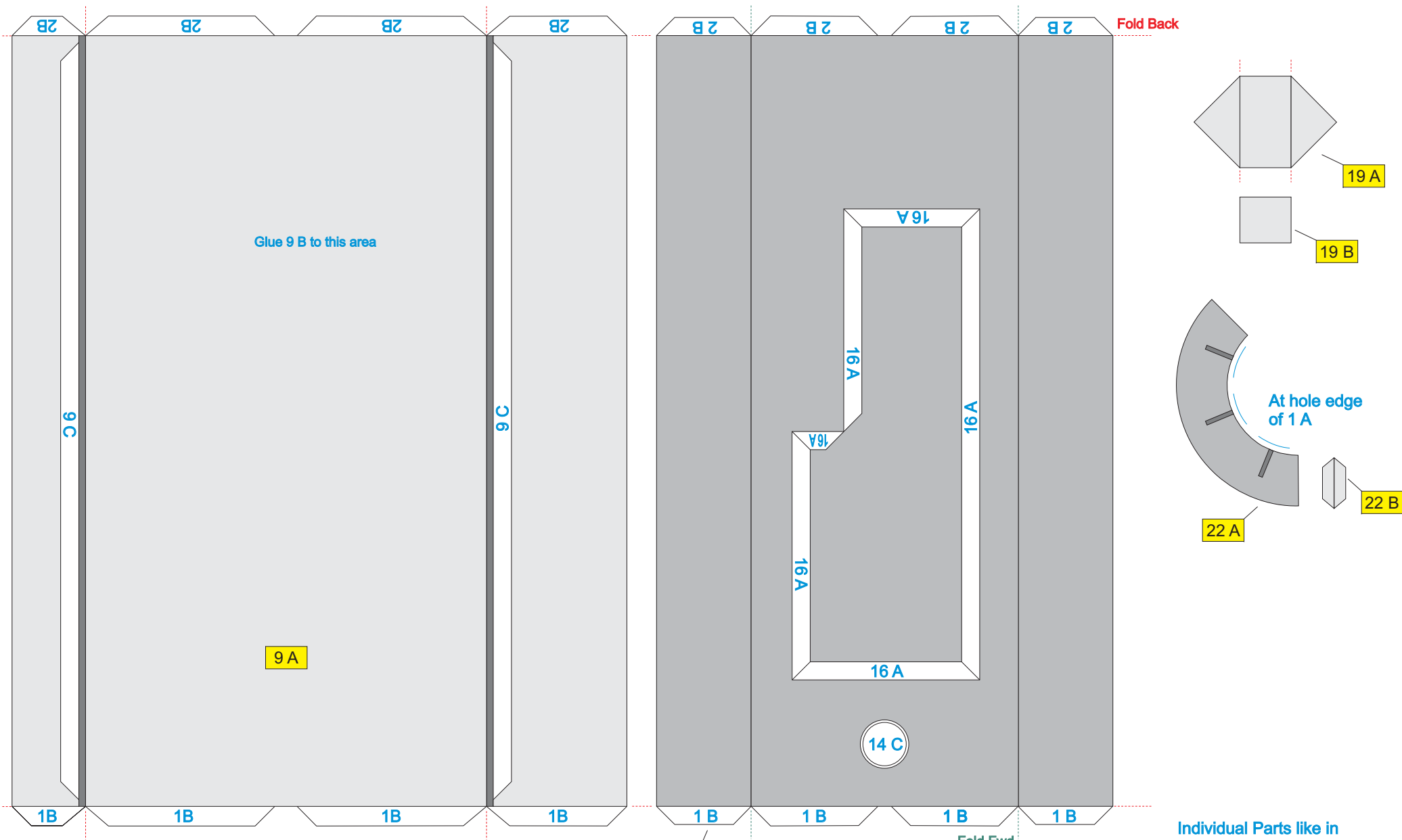
36 C

14 C

14 C

9 C

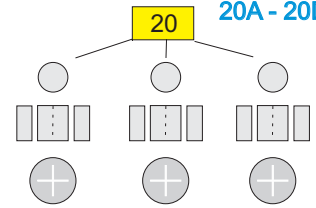
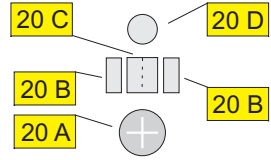
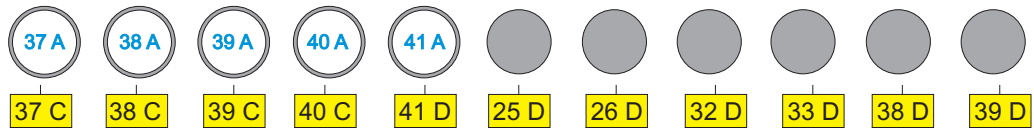
9 C



Fold Back

Fold Fwd

Individual Parts like in 20A - 20D left



37 C

38 C

39 C

40 C

41 D

25 D

26 D

32 D

33 D

38 D

39 D

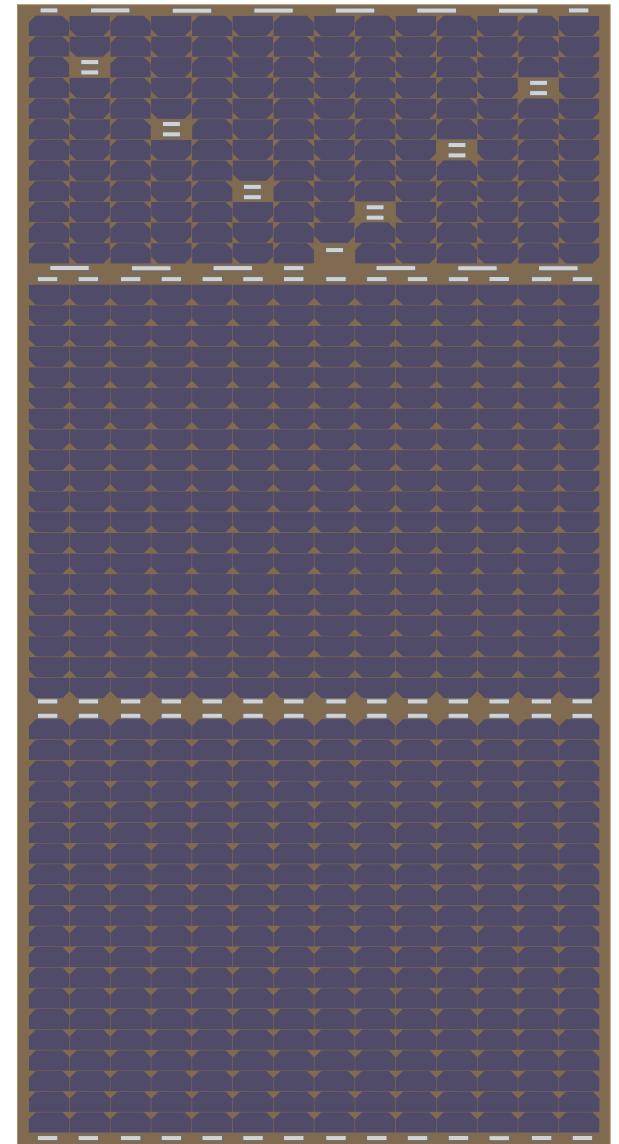
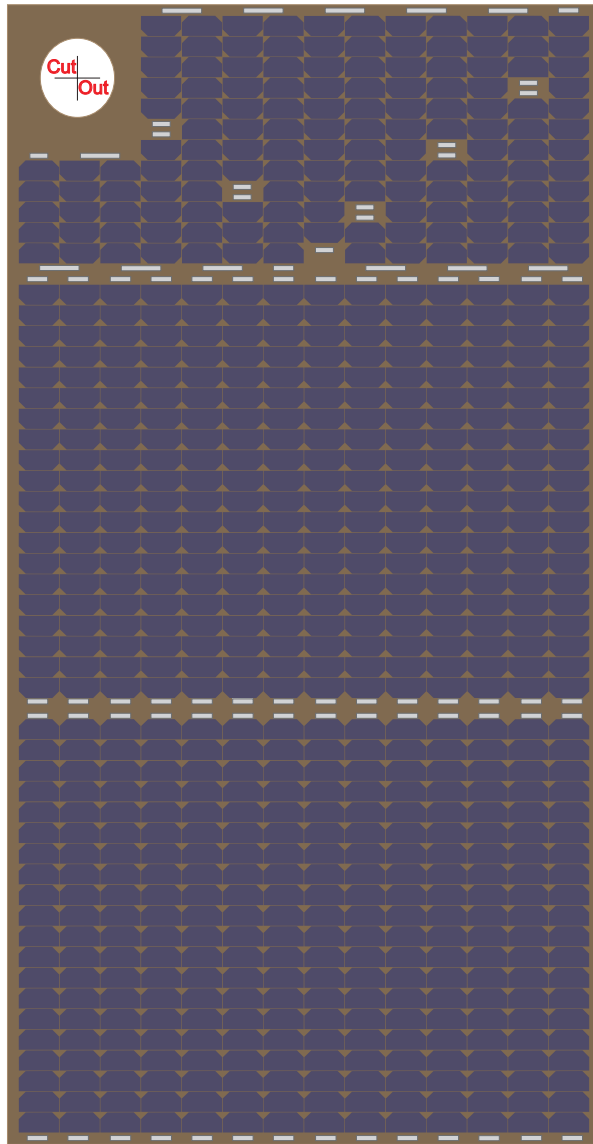
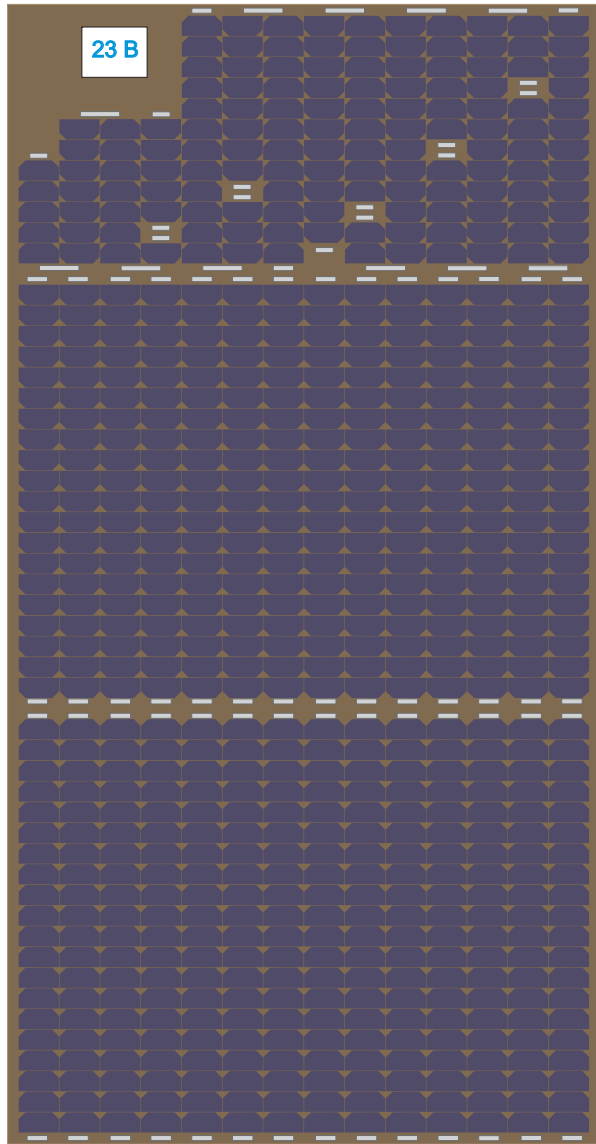
20

20

20

20

6 A



Glue over 9 A

Glue over 8 A

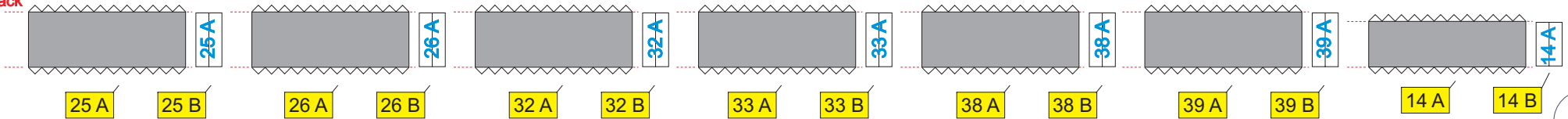
Glue over 7 A

Fold Back

9 B

8 B

7 B



F

25 A

25 B

26 A

26 B

32 A

32 B

33 A

33 B

38 A

38 B

39 A

39 B

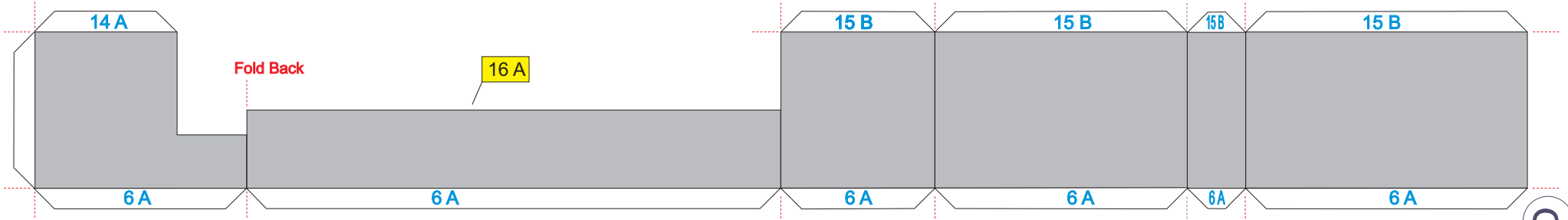
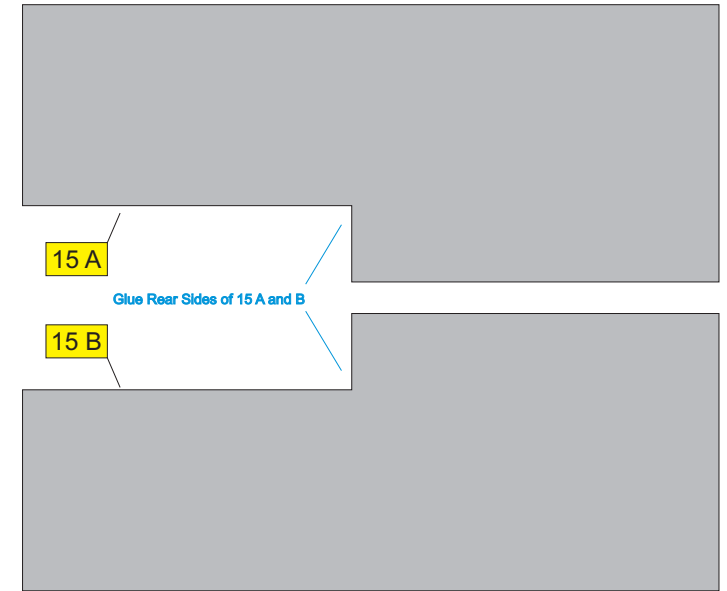
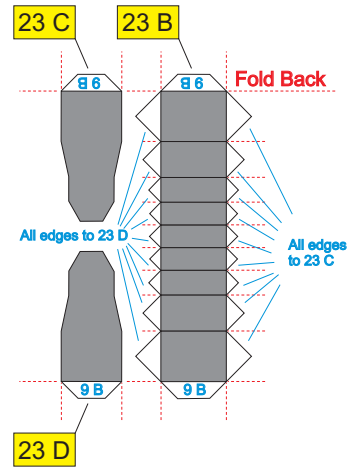
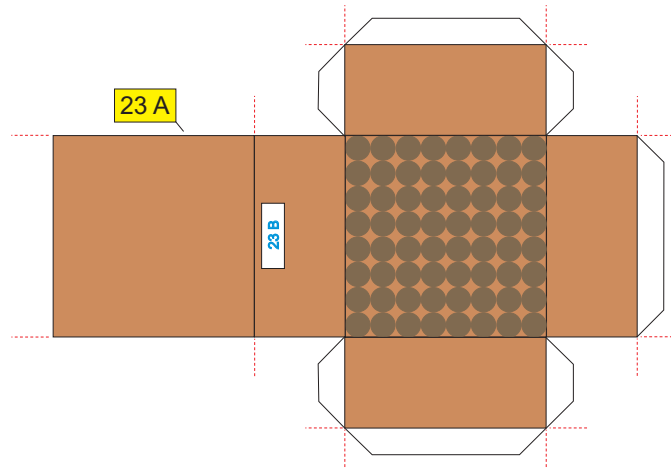
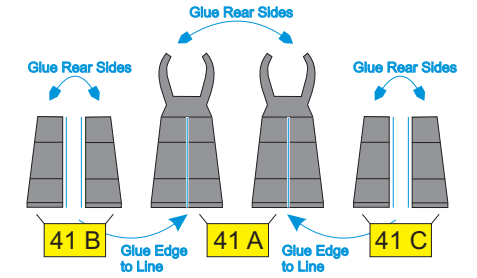
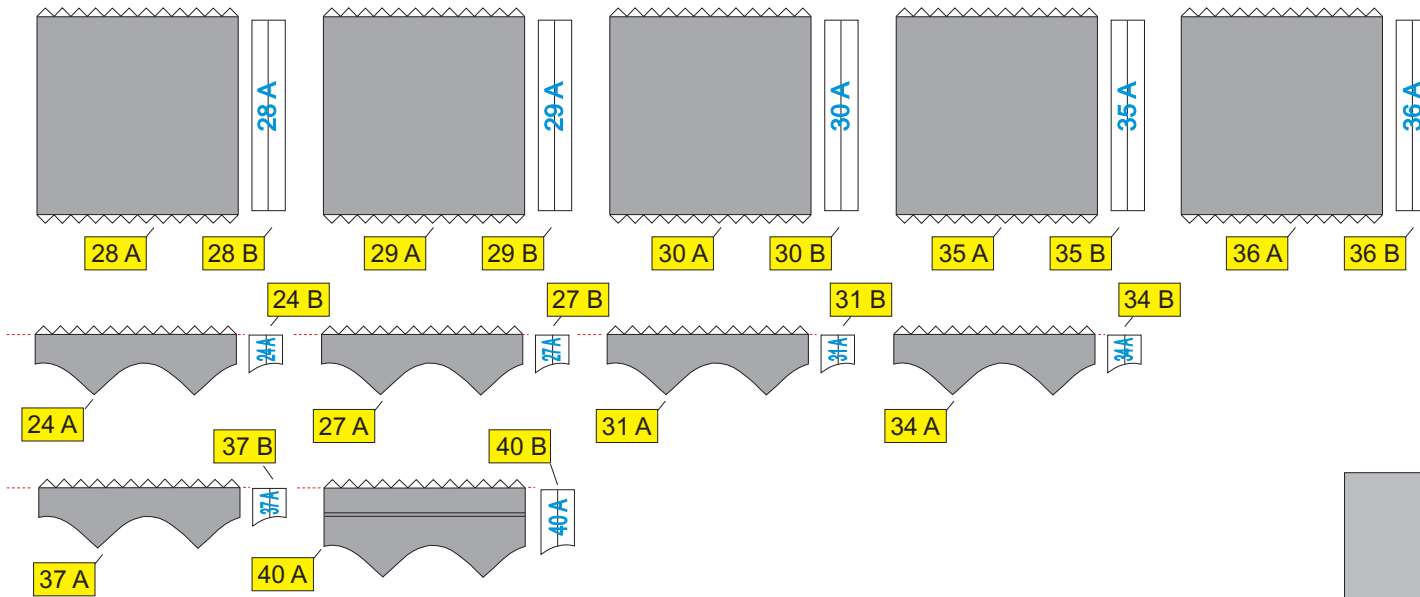
14 A

14 B

7 B

8 B

9 B



16 A

15 B

23 A

23 D

23 B

23 C

15 A

37 A

37 B

40 A

40 B

24 A

24 B

27 A

27 B

31 A

31 B

34 A

34 B

41 B

41 B

41 A

41 A

41 C

41 C

28 A

28 B

29 A

29 B

30 A

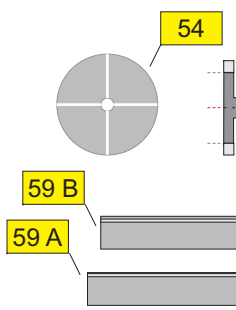
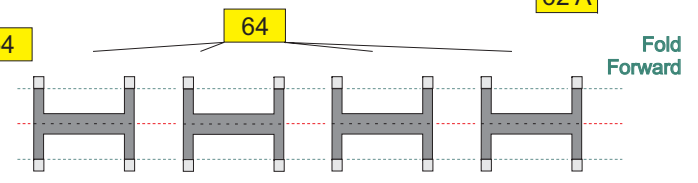
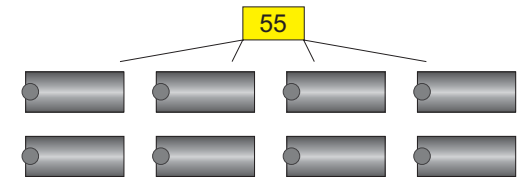
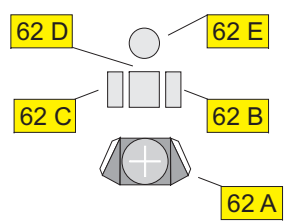
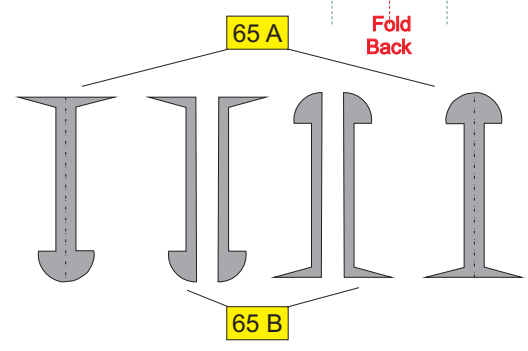
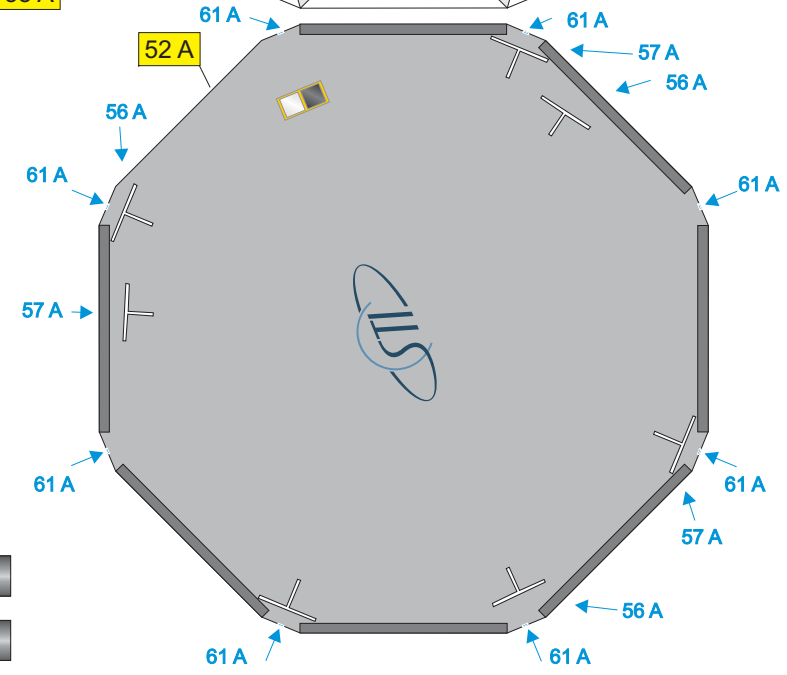
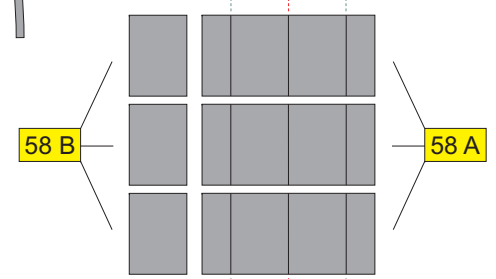
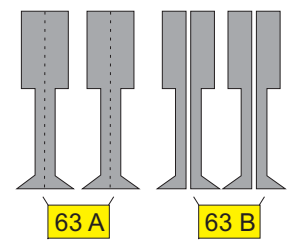
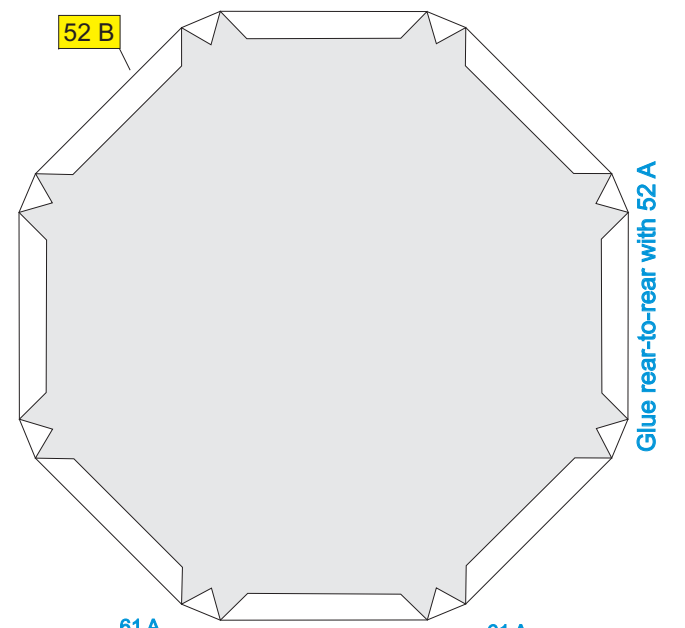
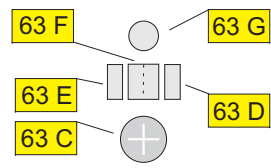
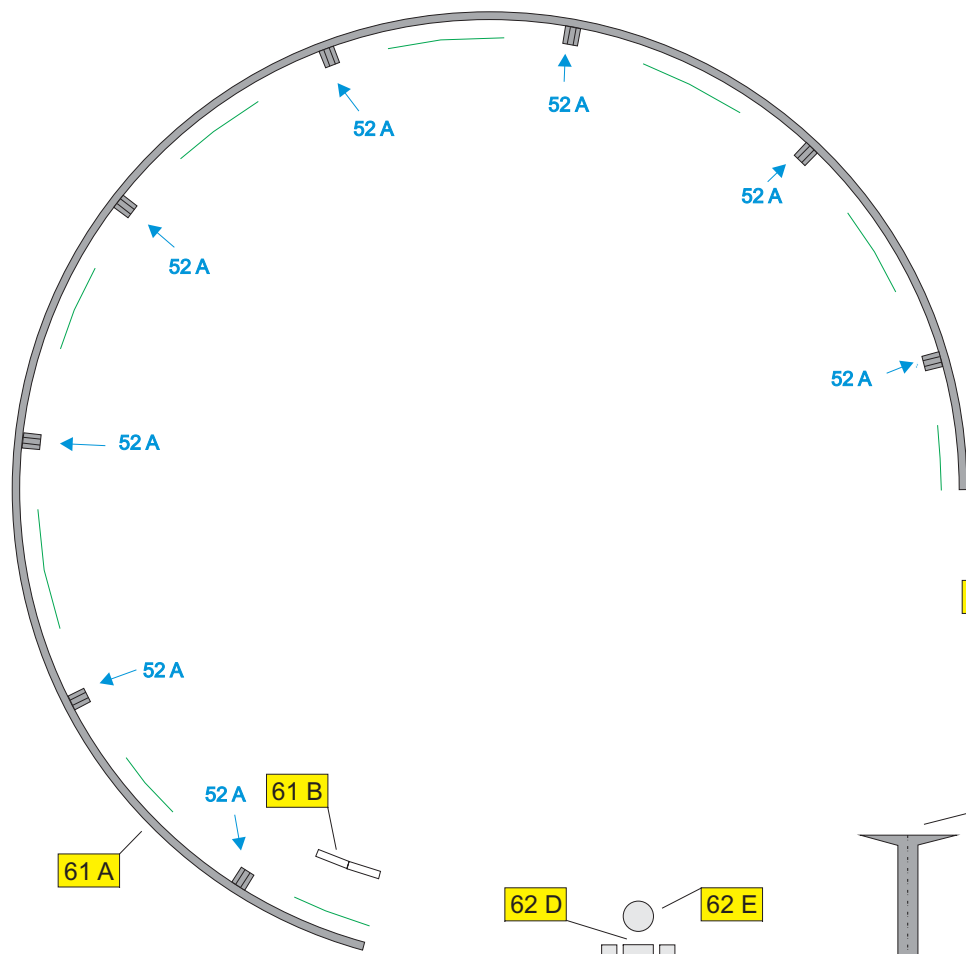
30 B

35 A

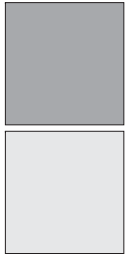
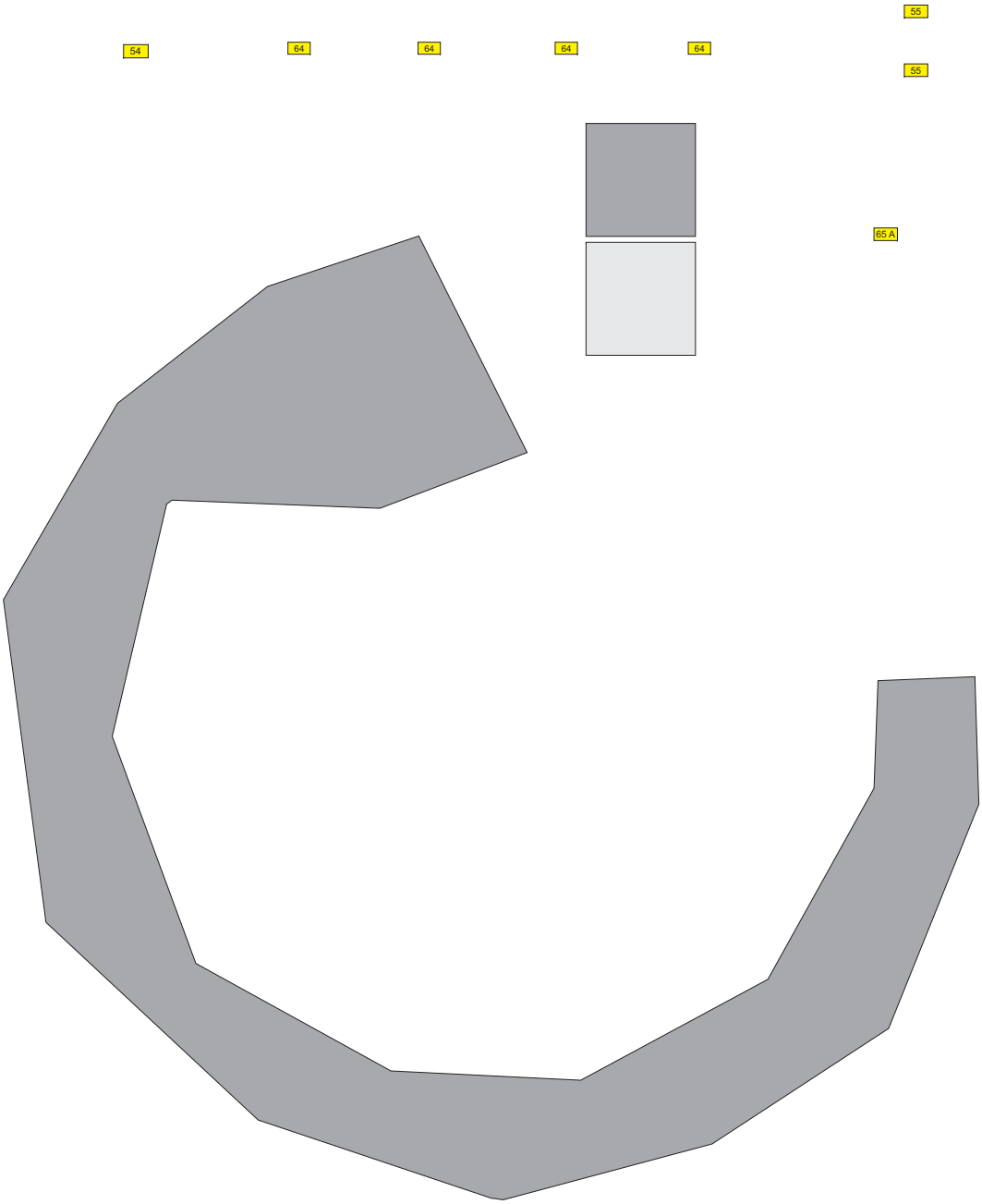
35 B

36 A

36 B



Glue rear-to-rear with 59 B and form ring



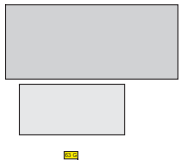
55 55 55 55
55 55 55 55

65 A 65 B 65 C

65 B 65 C 65 A

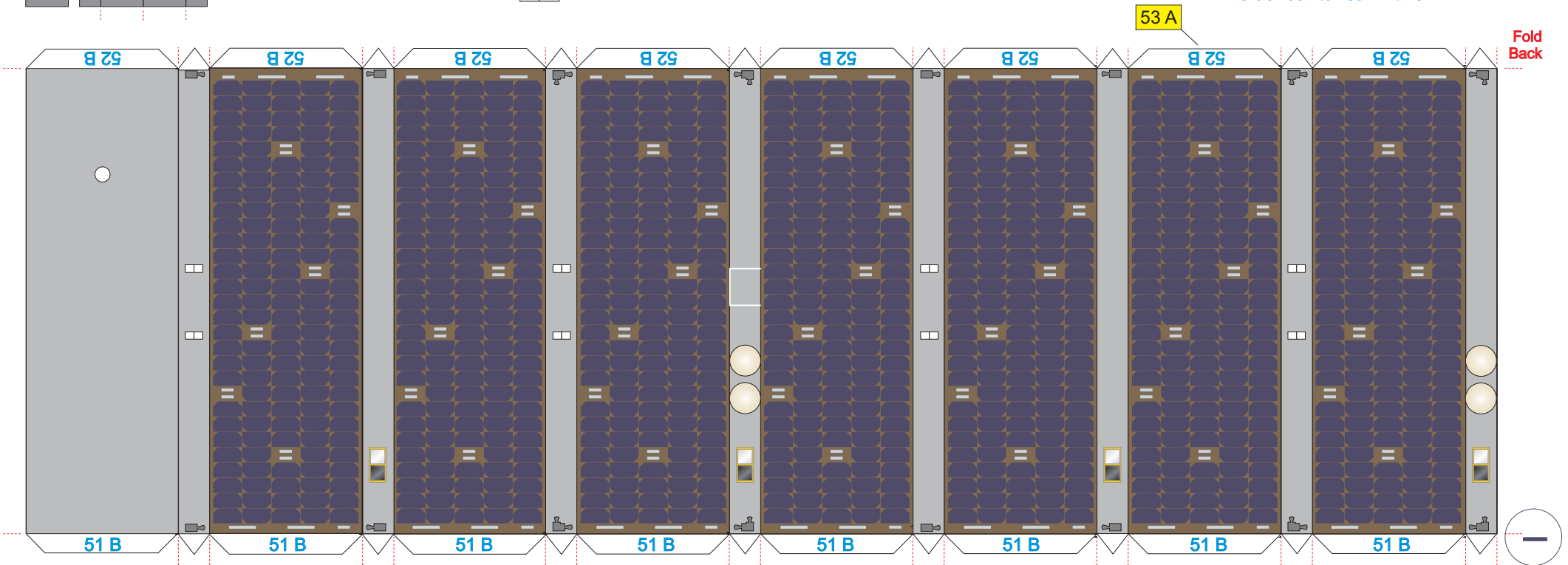
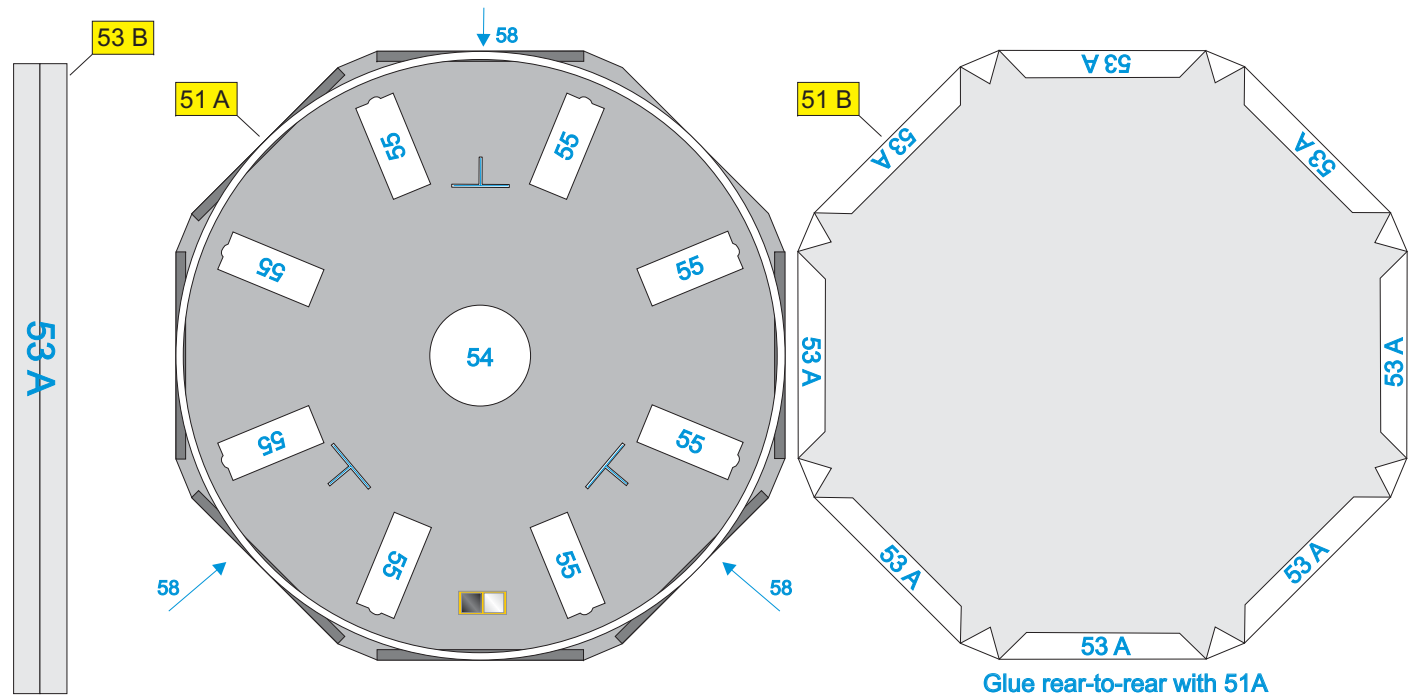
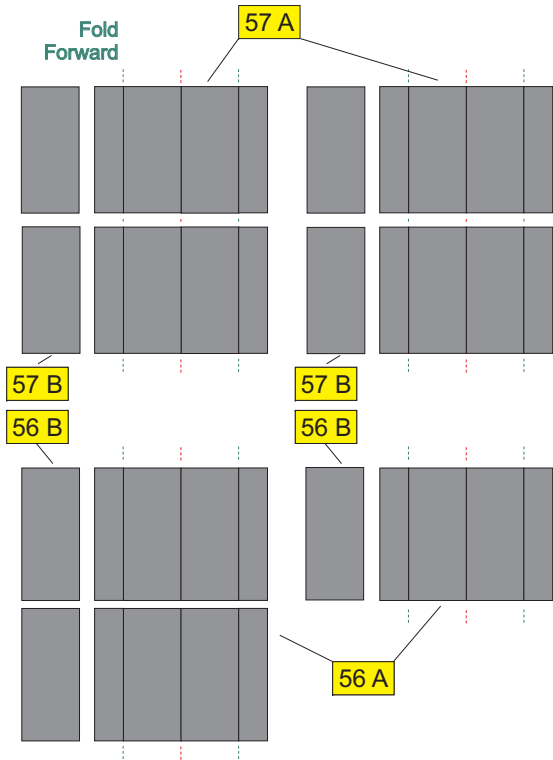
58 B 58 A
58 B 58 A
58 B 58 A

63 A 63 A 63 B 63 B 63 B 63 B



52 A

52 B



57 B

57 A

57 B

57 A

57 B

57 A

57 B

57 A

56 B

56 B

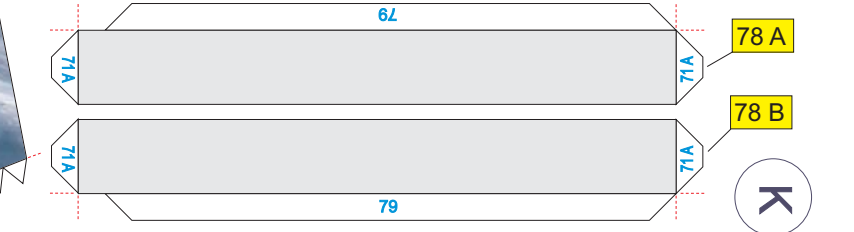
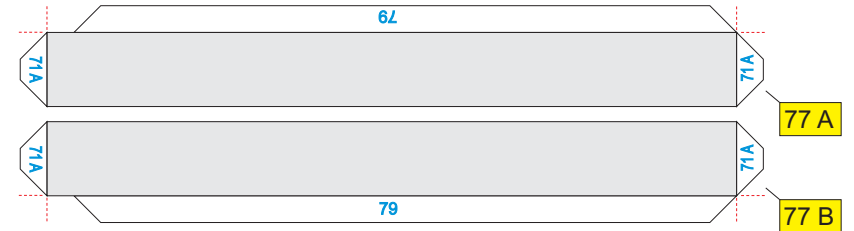
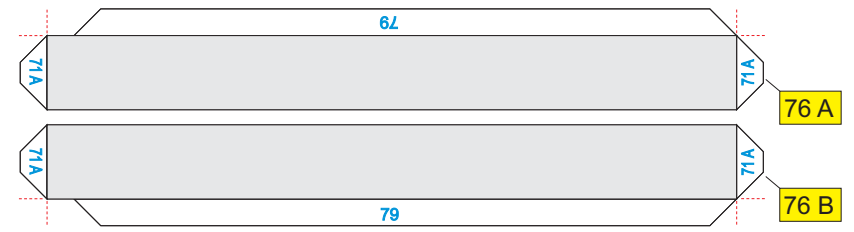
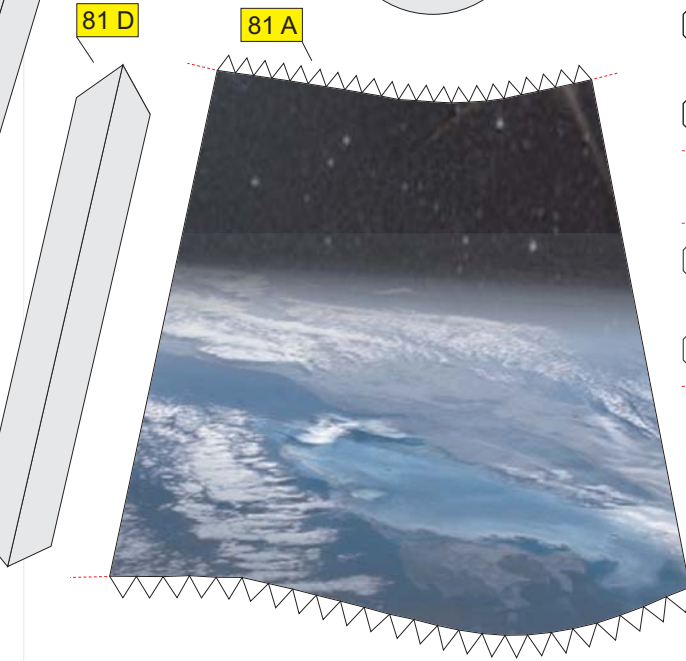
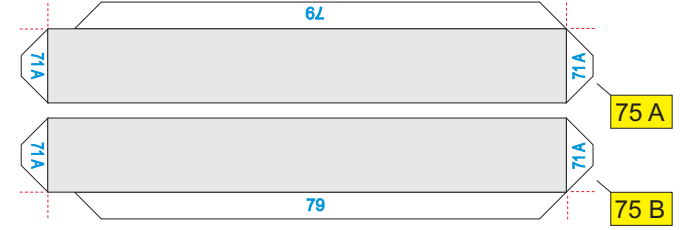
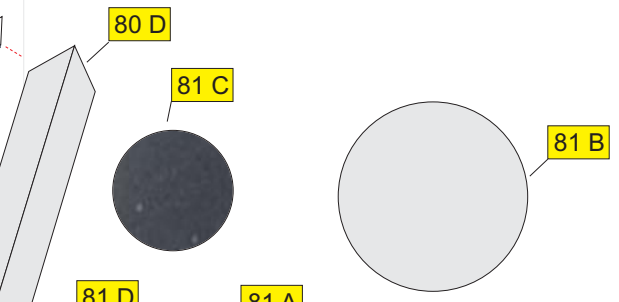
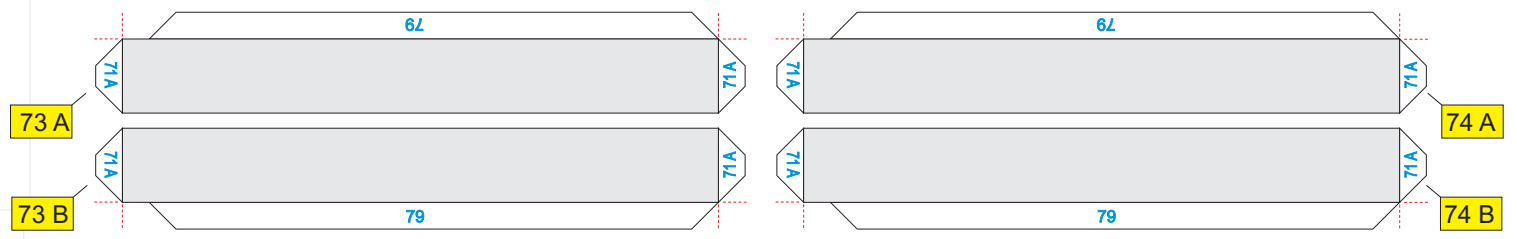
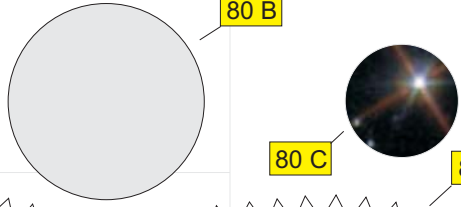
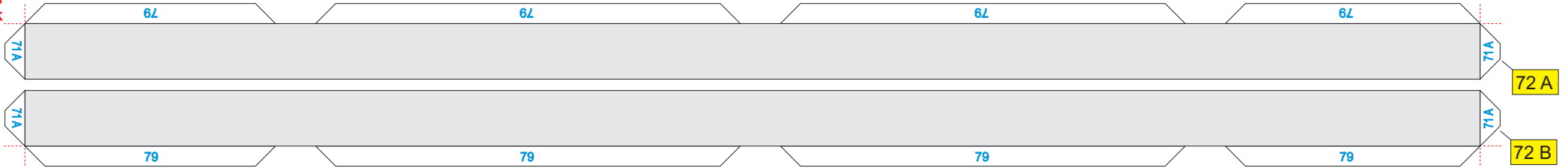
53 B

51 A

53 A

51 B

Fold Back



78 B

78 A

77 B

77 A

76 B

76 A

75 B

75 A

74 B

74 A

72 B

72 A

81 A

80 A

81 C

81 B

73 B

73 A

80 C

80 B



71 B
71 A
71 A
71 B

71 B
71 A
71 A
71 B

DEOS
Deutsche Orbitale Servicing Mission

71 B
71 A
71 A
71 B

71 A
71 B
71 A
71 B

71 B

71 B

71 B

71 B

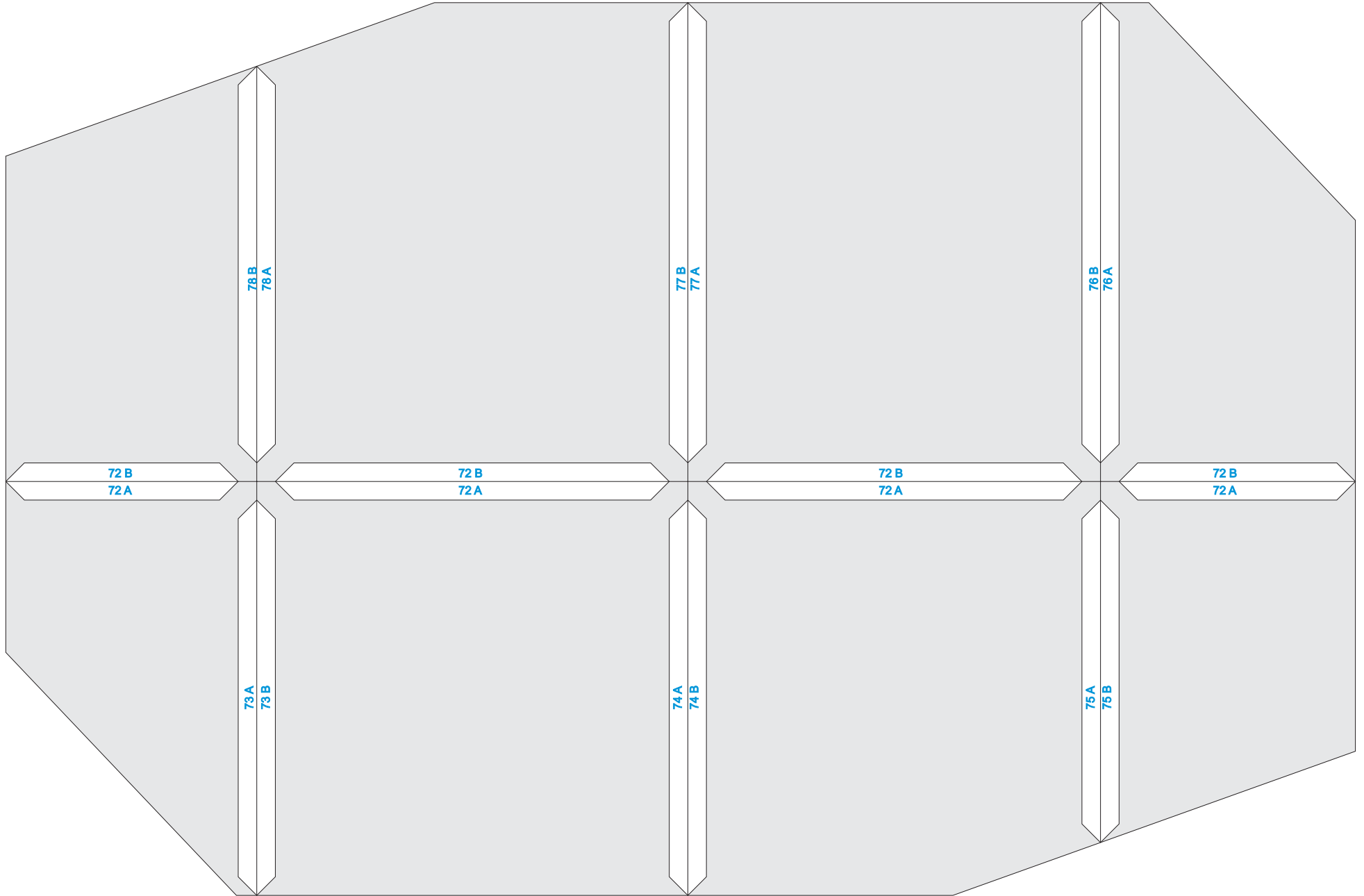
71 A

71 B

71 B

71 B

71 B



79



